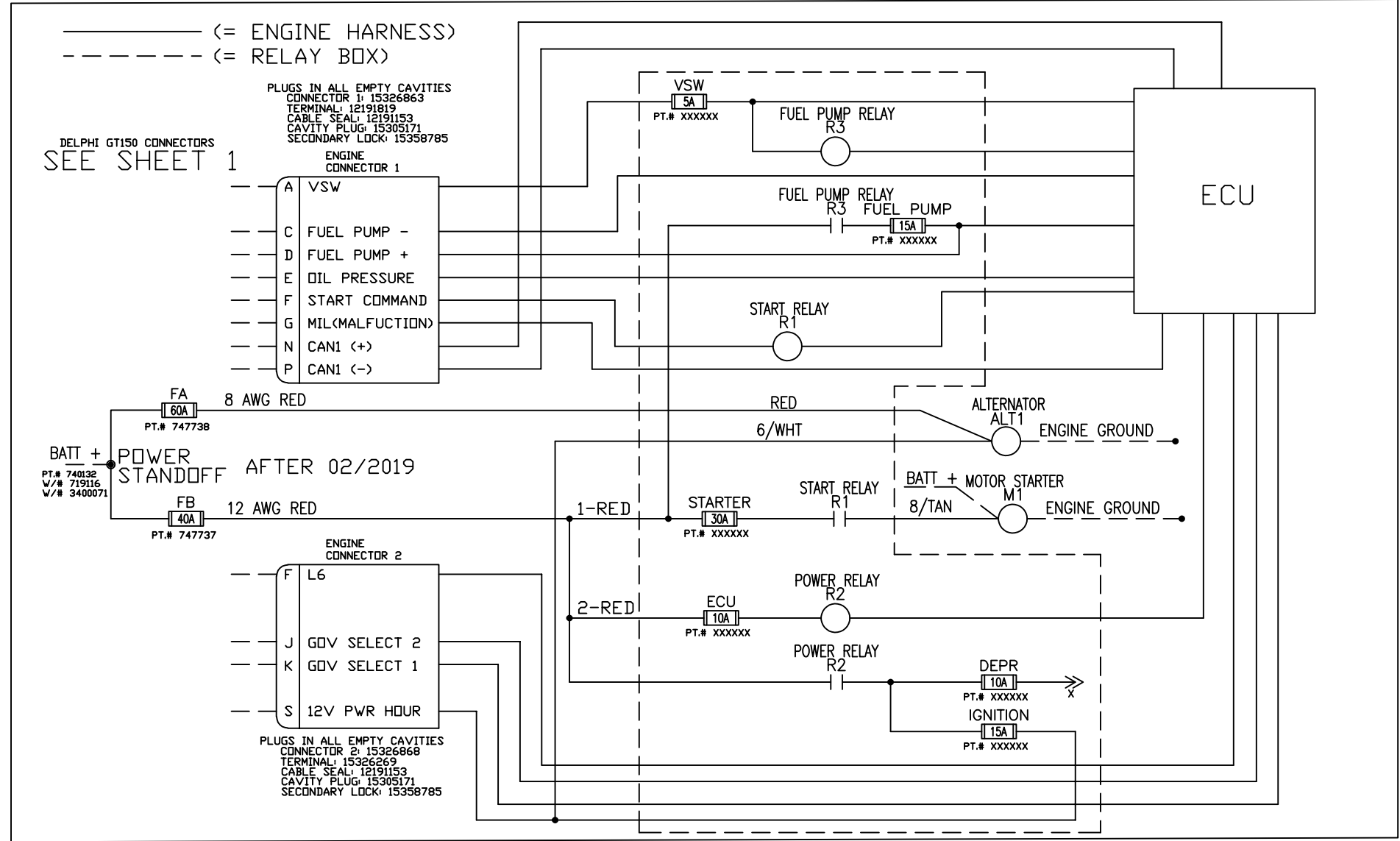


(GAS/LP ONLY)



CONFIDENTIAL

THIS DRAWING AND ALL INFORMATION CONTAINED THEREIN ARE THE EXCLUSIVE PROPERTY OF MINUTEMAN INTERNATIONAL, INC. THIS DRAWING IS NOT TO BE COPIED OR OTHERWISE REPRODUCED WITHOUT EXPRESSED WRITTEN PERMISSION OF MINUTEMAN INTERNATIONAL, INC. IN ADDITION, THIS DRAWING MUST BE RETURNED UPON REQUEST. FURTHER, ALL INFORMATION CONTAINED HEREIN MUST BE MAINTAINED CONFIDENTIAL.

TITLE		NAUTILUS PT. TO PT. DIAGRAM		SCALE		NTS	
MATERIAL		N/A		FINISH		N/A	
TOLERANCES (UNLESS OTHERWISE SPECIFIED)				REMOVE BURRS AND BREAK SHARP EDGES .005/.020			
0-1" ± 1/16		.000 ± .005		SIZE		DRAWN BY MB	
>1-12" ± 1/4"		.00 ± .010		B		CHECKED BY JWP	
<12" ± 1/2"		ANGLES ± 30'				DATE 12/20/13	
M 151969		02/02/22		ADD CONSTANT SOLUTION FLOW OPTIONS		KHH KHH	
L 151293		04/09/20		UPDATED MURPHY SWITCH		KHH KHH	
K 150567		02/06/19		ADDED SIDE BROOM MIST OPTION		KHH KHH	
J 150447		10/18/18		ADDED JP7 GND JUMPER PLUG & BRAKE LTS		KHH KHH	
REV E.C.N.		DATE		CHANGE		BY CHK BY	

14N845 U.S. ROUTE 20
 PINGREE GROVE, IL 60140
P.N. 748992
 SHEET 6 OF 6